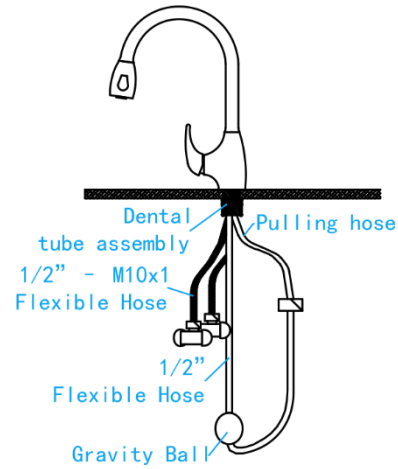
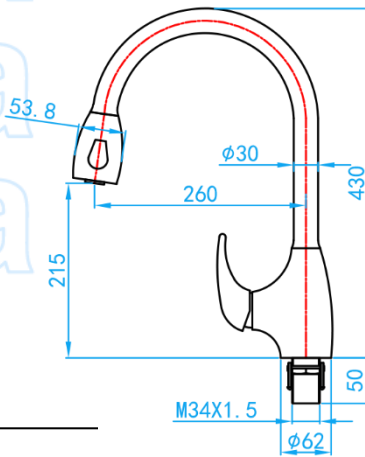
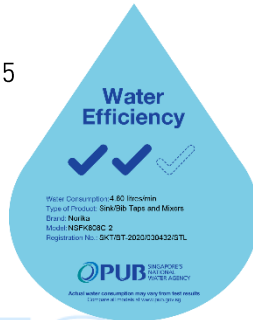
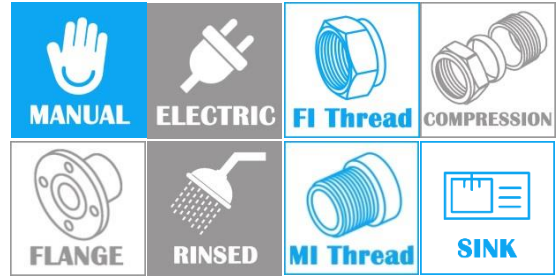


AISI304 PULL OUT SINK MIXER TAP

COMPLY WITH BS EN 817:2008
 BSEN248:2002
 AS/NZS:4020:2005
 SS375:2015



COMPONENT PARTS

ITEM	PARTS	MATERIAL
1.	Faucet Body	AISI304
2.	Flexible Hose	AISI304/ EPDM
3.	Set Screw	AISI304
4.	O-ring	EPDM
5.	Aerator	Brass/ EPDM/ POM
6.	Valve	Ceramic + Brass

FRONT VIEW

SIDE VIEW

CHARACTERISTIC

- Freely pull out, hot and cold water mixer.
- Corrosion-resistant material.
- Easy installation and maintenance.

STANDARD SPECIFICATIONS

SKU	APPLICABLE WATER PRESSURE	WATER TEMPERATURE	ENVIRONMENTAL TEMPERATURE
NSFK808C	0.05~0.8MPa	20°-60°C	1~55°C

STANDARD SPECIFICATIONS

WATER SUPPLYING CALIBER	FLOW RATE litres / min	WEIGHT (kg)	PCS/CTN
1/2" BSP	4.6	3.100	1